

Fig. KIDRV16FO

Ductile Iron Fixed Orifice Double Regulating Valve

BS7350 PN16

Notes:

- Designed to BS7350
- Pressure Rating: PN16
- Working Medium: Water, Oil, Steam
- Flanged to BS4504 / BS EN1092-2
- Non-Rising Stem
- EPDM Coated Disc
- Bolted Bonnet
- DZR Brass orifice insert
- Double Regulating (Memory Stop) device
- Supplied with 2 DZR (CW602N) Test points
- Flow Data available
- Other flange standards available upon request
- Other PN pressure ratings available upon request
- ANSI standards available upon request.

Dimensions

DN	H	L	ø	L1	B
65	265	290	200	310	19
80	370	310	200	320	19
100	310	350	240	360	19
125	340	400	290	415	19
150	350	480	290	445	19
200	537	600	350	620	20
250	591	730	420	720	22
300	690	850	420	875	24.50

All dimensions are nominal (indicative)
Actual dimensions may vary

Material Specifications

Description	Material
Body	EN-JS1050
Disc	EN-JS1050 + EPDM
Stem	BS970 410S21
Bonnet	EN-JS1050
Handwheel	EN-JS1050
Plugs	Steel
Orifice Insert	EN 12165 CW602N

- Superior to variable orifice DRV due to higher accuracy from integral fixed orifice
- Flow reading across fixed orifice +/- 5%
- Valve must be installed fully in accordance with instructions.

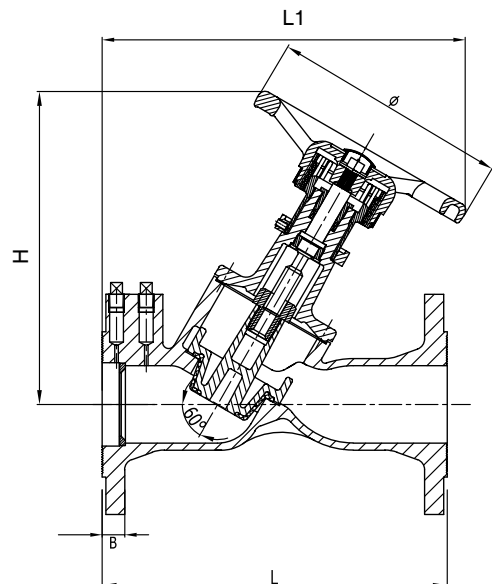


Fig. No. KIDRV16FO

