

Fig. KBFV16LG

Ductile Iron Butterfly Valve

Fully Lugged Type, Gear Operated

BS EN593 PN16

Dimensions - For dimension drawing, please refer next page

DN	A	B	C	D	E	F	N-TAP M	H	J	K	P	L
250	203	292	355	125	102	11.5	12-M24	41	235	300	63	66
300	242	337	410	125	102	11.5	12-M24	42	226	300	81	77
350	277	368	470	140	102	11.5	16-M24	42	226	300	81	77
400	308	400	525	210	165	22	16-M27	48	217	360	95	102
450	342	422	585	210	165	22	20-M27	48	217	360	95	114
500	374	479	650	210	165	22	20-M30	115	320	360	185	130
600	459	562	770	210	165	22	20-M33	120	335	360	185	152

All dimensions are nominal (indicative)
Actual dimensions may vary

Material Specifications

Description	Material
Stem	SS416
Seat	EPDM
Disc	DI Nickel Plated
Body	Ductile Iron
Taper Pin	Stainless steel



Notes:

- Designed to BSEN593
- Pressure Rating: PN16
- Working Medium: Water, Oil, Steam
- Face to Face: BS EN558 -1 basic series 20
- Flanged to BS4504 / BS EN1092-2
- Top Flange conforms to ISO 5211
- Optional chain wheel operator available
- Electric / Pneumatic actuators available
- Alternative Disc material available on request
- Other flange standards available upon request
- Other PN pressure ratings available upon request
- ANSI standards available upon request.

Fig. KBFV16LG
Ductile Iron Butterfly Valve
Fully Lugged Type, Gear Operated
BS EN593 PN16

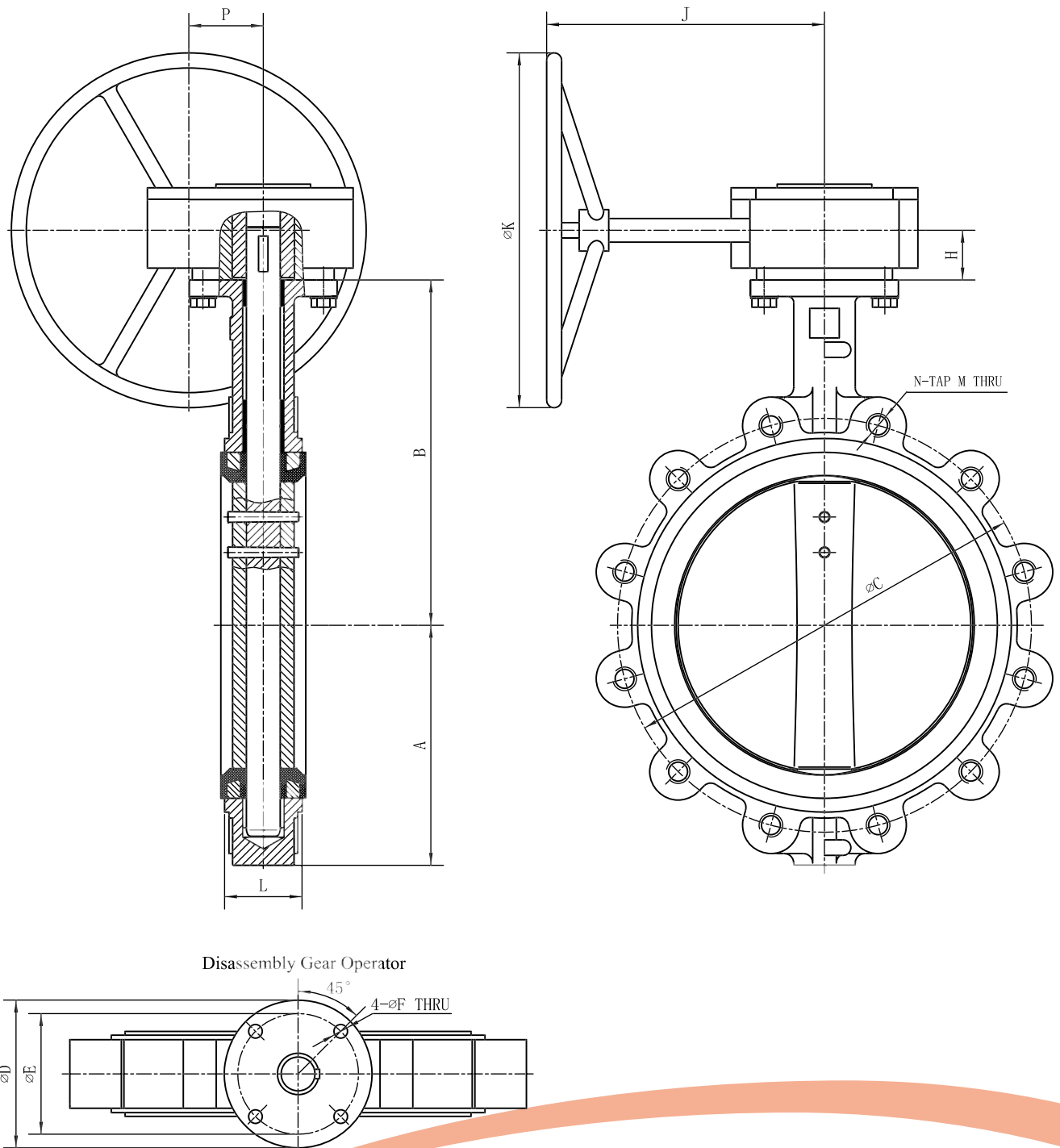


Fig. KBFV16LG