

Fig. KIBS16

Cast Iron Basket Strainer

PN16

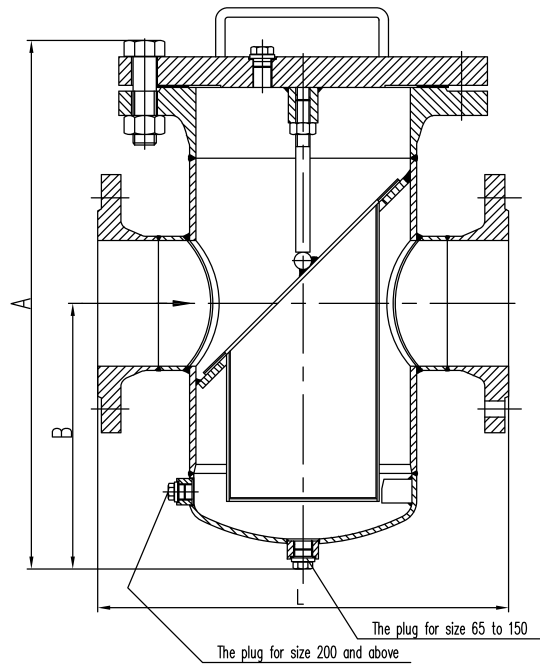
Notes:

- Pressure Rating: PN16
- Working Medium: Water, Oil
- Flanged to BS4504 / BSEN1092-2
- Stainless Steel Mesh
- Other flange standards available upon request
- Other PN pressure ratings available upon request
- ANSI standards available upon request.
- Mesh details in separate section
- Higher sizes available upon request

Dimensions

DN	L	A	B
65	210	250	155
80	251	295	190
100	292	330	205
125	334	370	215
150	375	400	235
200	475	510	295
250	511	665	340
300	680	760	405
350	769	930	585
400	824	980	590
450	824	1010	590
500	824	1110	600
600	1054	1690	1175

All dimensions are nominal (indicative)
Actual dimensions may vary



Material Specifications

Description	Material
Body	Cast Iron
Cover	Cast Iron
Screen	Stainless Steel
Plug	Cast Iron

STRAINER MESH DETAILS

MESHES OF STRAINER FOR PN25 (KBS25,KBSBL25)

DN	Diameter of Hole	Thickness	Free Area Percentage	Meshes/cm2	Material
DN15	0.7mm	0.4	50%	60	Stainless Steel 304
DN20	0.7mm	0.4	50%	60	
DN25	0.7mm	0.4	50%	60	
DN32	1.4mm	0.5	46%	28	
DN40	1.4mm	0.5	46%	28	
DN50	1.4mm	0.5	46%	28	

MESHES OF STRAINER FOR PN20 (KBS20)

DN	Diameter of Hole	Thickness	Free Area Percentage	Meshes/cm2	Material
DN15	0.7mm	0.4	50%	60	Stainless Steel 304
DN20	0.7mm	0.4	50%	60	
DN25	0.7mm	0.4	50%	60	
DN32	1.4mm	0.4	46%	28	
DN40	1.4mm	0.4	46%	28	
DN50	1.4mm	0.4	46%	28	

MESHES OF STRAINER FOR PN16 /PN 25 (KIS16 / KIS25)

DN	Diameter of Hole	Thickness	Meshes /cm2	Material
DN65	1.2 mm	0.8	36	Stainless Steel 304
DN80	1.2 mm	0.8	36	
DN100	3.0 mm	1	9	
DN125	3.0 mm	1	9	
DN150	3.0 mm	1	9	
DN200	3.0 mm	1	9	
DN250	3.0 mm	1	9	
DN300	3.0 mm	1	9	
DN350	3.0mm	1	9	
DN400	3.0mm	1.75	9	
DN450	3.0mm	1.75	9	
DN500	3.0mm	2	9	
DN600	3.0mm	2	9	

MESHES OF BASKET STRAINER PN16 (KIBS16)

DN	Diameter of Hole	Thickness	Material
DN65	1.5	0.5	Stainless Steel 304
DN80	1.5	0.5	
DN100	3	1	
DN125	3	1	
DN150	3	1	
DN200	3	1	
DN250	3	1	
DN300	3	1	
DN350	3	1	
DN400	3	1	
DN450	3	1	
DN500	3	1	
DN600	3	1	