

Fig. KBGR16

Brass Gate Valve

Non Rising Stem

PN16

Notes:

- Non Rising Stem
- Pressure Rating: PN16
- Working Medium: Water
- Temperature range: 0°C to 100°C (nominal pressure rating varies at different temperatures within the range)
- Threaded Bonnet
- Female threading (Taper)
- Available with NPT Threads, subject to minimum quantities

DN		d	L	H	D
Inches	MM				
½"	15	14	41	70	55
¾"	20	15	43	72	55
1"	25	19	48	83	60
1¼"	32	25	53	100	70
1½"	40	31	55.5	110	70
2"	50	40	60	130	80

All dimensions are nominal (indicative)
Actual dimensions may vary

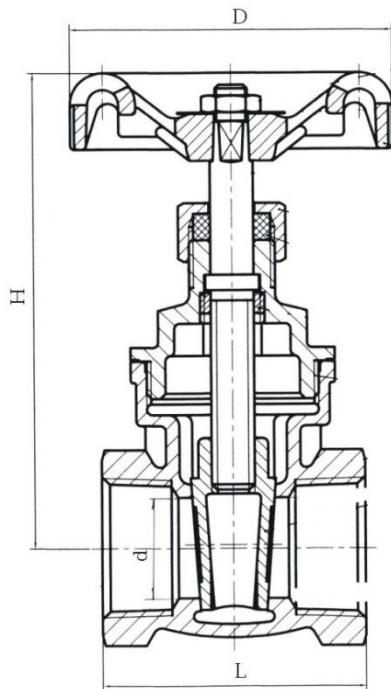


Fig. No. KBGR16

Material Specifications

Description	Material
Body	Brass CW617N
Bonnet	Brass CW617N
Stem	Brass
Packing	PTFE
Packing Nut	Brass
Disc	Brass CW617N
Handwheel	Cast Iron

