

Fig. KBL25

Bronze Ball Valve

PN25

Notes:

- Pressure Rating: PN25
- Working Medium: Water, Oil, Steam
- Blow-out proof stem
- Full bore chrome plated ball
- PTFE seats and stem seals.
- BS21 Taper Threaded (ISO 7) / BS EN10226-2
- Available with NPT Threads, subject to minimum quantities
- Available with lockshield (Fig. No. KBL25LS), subject to minimum quantities

Material Specifications

Description	Material
Body	Bronze CC491K
Ball	Brass CW617N (Chrome Plated)
Seat	PTFE
Stem	DZR Brass CW602N
Lever	Mild Steel (Chrome Plated)
Lever Cover	PVC

Dimensions

DN		d	L	H	D
Inches	MM				
½"	15	14	53	44	95
¾"	20	19	61	51	110
1"	25	24	71	55	110
1¼"	32	31	85	65	140
1½"	40	38	92	70	140
2"	50	49	114	83	160

All dimensions are nominal (indicative)
Actual dimensions may vary

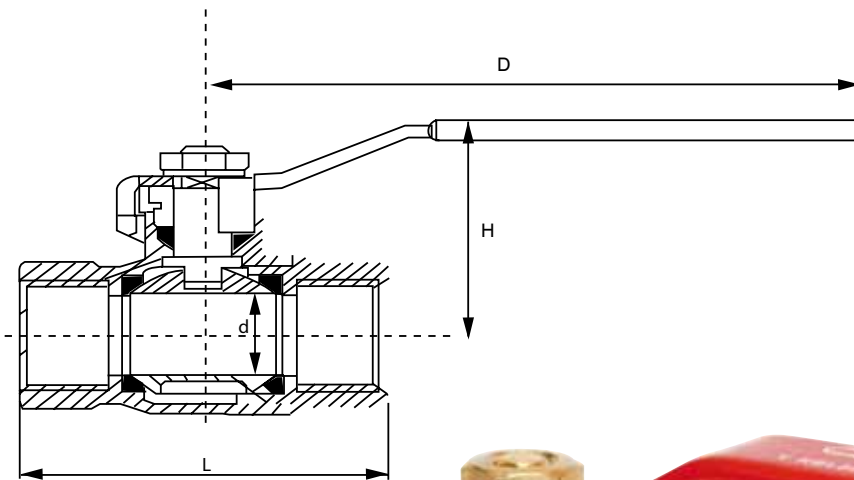


Fig. No. KBL25

