

Fig. KBFV25LLR

Ductile Iron Butterfly Valve

Fully Lugged Type, Lever Operated

BS EN593 PN25

Material Specifications

Description	Material
Stem	SS431
Taper Pin	Stainless steel
Disc	Ductile Iron
Seat	EPDM
Body	Ductile Iron
Lever	Malleable Iron

Dimensions

DN	A	B	Bolt Size	No. of Bolts	L	L1	PCD
65	175	86	M16	8	44.5	49.1	ø145
80	181	94	M16	8	44.5	49.1	ø160
100	200	112.4	M20	8	51	56	ø190
125	213	130	M24	8	54.5	59.1	ø220

All dimensions are nominal (indicative)
Actual dimensions may vary

Notes:

- Designed to BSEN593
- Pressure Rating: PN25
- Working Medium: Water, Oil, Steam
- Flanged to BS4504 / BS EN1092-2
- Top Flange conforms to ISO 5211
- Alternative Disc material available on request
- Electric / Pneumatic actuators available
- Other flange standards available upon request
- Other PN pressure ratings available upon request
- ANSI standards available upon request.

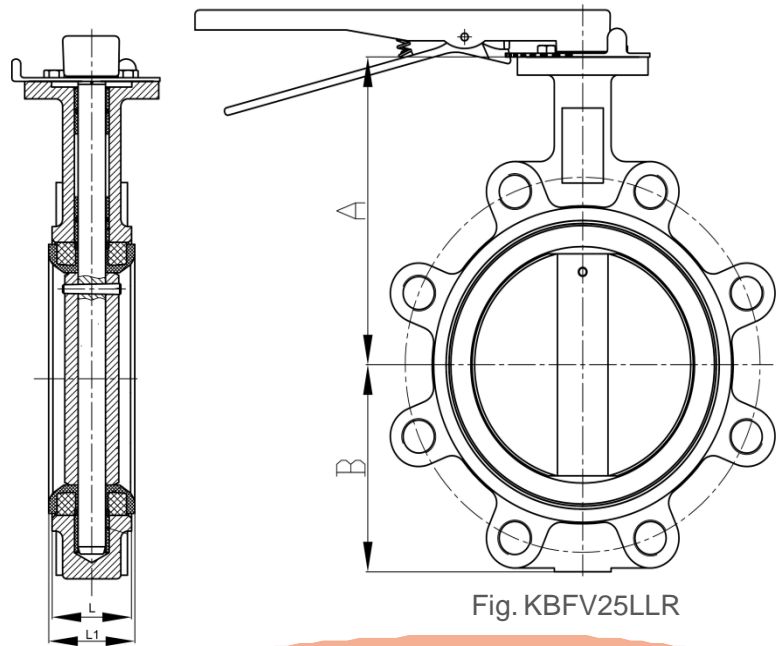


Fig. KBFV25LLR