

Fig. KIRIG25

Ductile Iron Resilient Seat Gate Valve Non-Rising Stem BS5163 PN25

Notes:

- Designed to BS5163
- Pressure Rating: PN25
- Working Medium: Water, Oil, Steam
- Flanged to BS4504 / BS EN1092-2 PN25
- Rising stem available on request
- Other flange standards available upon request
- Other PN pressure ratings available upon request
- ANSI standards available upon request.

Material Specifications

Description	Material
Body	Ductile Iron
Wedge	Ductile Iron & EPDM
Stem	SS420
Bonnet	Ductile Iron
Handwheel	Carbon Steel

Dimensions

DN	L	H	W	D2	D1	D	f	b	n-ød
65	190	264	255	185	145	118	3	16	8-ø 19
80	203	287	255	200	160	132	3	16	8-ø 19
100	228	321	255	235	190	156	3	16	8-ø 23
125	254	372	306	270	220	184	3	16	8-ø 28
150	266	410	306	300	250	211	3	17	8-ø 28
200	292	503	306	360	310	274	3	19	12-ø 28
250	330	603	406	425	370	330	3	21.5	12-ø 31
300	356	683	406	485	430	389	4	23.5	16-ø 31

All dimensions are nominal (indicative)
Actual dimensions may vary

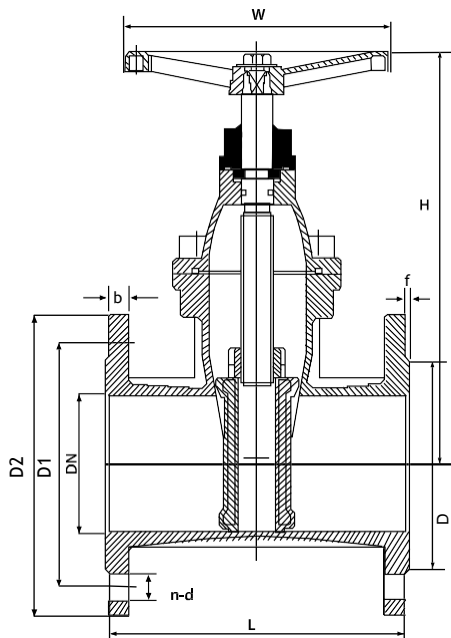


Fig. No. KIRIG25

