

Fig. KBG20

Bronze Gate Valve

Non-Rising Stem

BS 5154 PN20

Notes:

- Designed to BS 5154
- Pressure Rating: PN20
- Working Medium: Water, Oil, Steam
- Threaded Bonnet
- UK end connection: BS21 Taper Threaded (ISO 7) / BS EN10226-2
- Available with NPT Threads, subject to minimum quantities
- Available with Lockshield (Fig. No. KBG20LS), subject to minimum quantities

Material Specifications

Description	Material
Body	Bronze CC491K
Bonnet	Bronze CC491K
Stem	DZR Brass CW602N
Disc	Bronze CC491K
Handwheel	Aluminium

Dimensions

DN		d	L	H	D
Inches	MM				
1/2"	15	12.7	49.5	103	52
3/4"	20	19.1	53.5	109	52
1"	25	25.4	62	133	70
1 1/4"	32	31.8	70	145	70
1 1/2"	40	38.2	77	170	92
2"	50	50.9	87	206	92.5

All dimensions are nominal (indicative)
Actual dimensions may vary

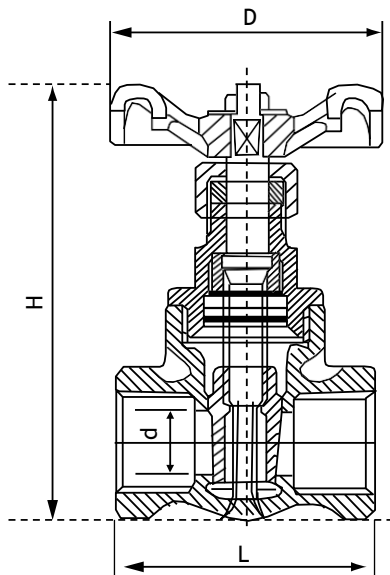


Fig. No. KBG20



Fig. KBG20LS

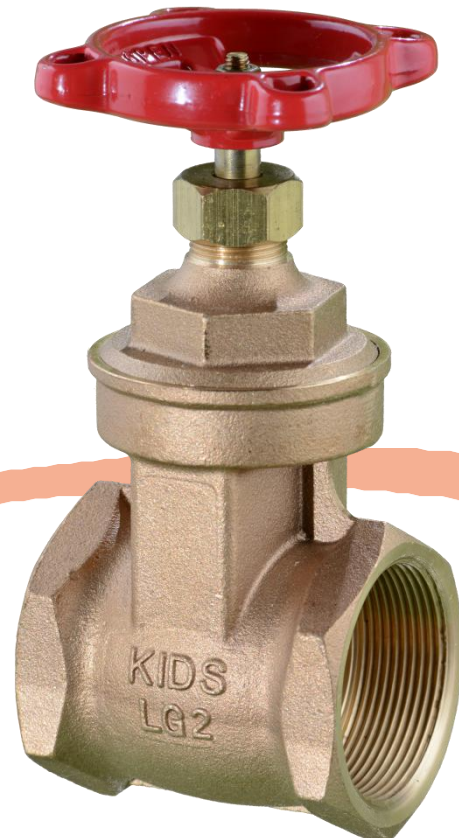


Fig. KBG20