

Fig. KIP16

PICV – Pressure Independent Control Valve

Supplied with SS Test Points

PN16

SPECIFICATION

- Pressure Rating: PN16
- Medium Temperature -10 to 120°C
- Ductile iron body
- Stainless steel stem
- PTFE Sealing ring
- EPDM Diaphragm
- Stainless steel test points
- Flanged ends connection ISO7005-2
- Actuator details: Modulating : 24V DC, 0-10V DC.

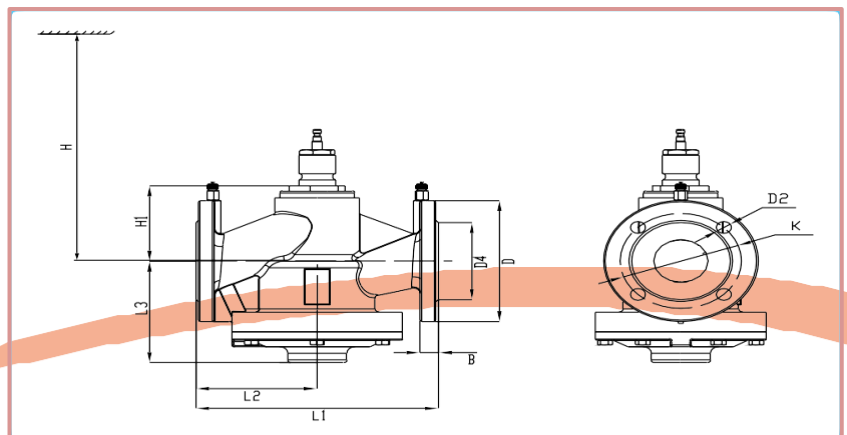


DN (mm)	Opening (%) - Flow (m ³ /h)														
	30	35	40	45	50	55	60	65	70	75	80	85	90	95	100
50	1.4	1.9	2.19	2.74	3.18	3.93	4.6	5.5	6.24	7.25	8.35	9.68	11	12.1	13
65	2.55	3.41	4.15	5.26	6.33	7.12	8.9	10.3	11.9	13.4	14.9	16.3	17.6	19.3	21
80	2.76	3.62	4.48	5.57	6.79	7.62	9.33	10.8	12.3	13.9	15.7	17.4	18.9	23.6	28
100	7.91	9.85	11.6	15.7	18.8	21.5	23.8	25.7	27.6	29.4	33.1	38	42.9	46	50
125	8.4	10.5	12.5	16	19.3	24.5	29.8	37.5	46.3	55.6	65.1	72.3	80	84.5	90
150	17	28	41	55	69	80	94	102	112	116	120	124	129	135	145
200	35	43	51	61	71	79	86	96	107	124	140	155	170	190	208
250	42	48	59	65	78	90	101	113	131	150	179	197	216	228	240

PN16											
DN	B mm	D mm	D2 mm	D4 mm	K mm	L1 mm	L2 mm	L3 mm	H1 mm	H mm	
50	20	165	4-19	99	125	230	115	136	95	410	
65	22	185	4-19	118	145	290	145	155	115	430	
80	24	200	8-19	132	160	310	155	167	148	483	
100	22	220	8-19	156	180	350	181	181	150	485	
125	26	250	8-19	184	210	400	200	197	163	498	
150	24	285	8-23	211	240	480	240	222	198	533	
200	24	340	12-23	266	295	500	250	245	180	525	
250	26	405	12-28	319	355	600	300	277	210	555	

TECHNICAL NOTES:

- The valve needs to be installed so that the flow passes in the proper direction through the valve.
- The valve has to be installed upright.
- The valve should be installed in a clean water system (after flushing). In case the valve is installed during flushing or pressure testing, the valve must be fully opened, otherwise the diaphragm insert could get damaged.
- Install the actuator after the pipeline pressure test.



NOTES:

- Accuracy $\pm 10\%$
- Maximum close-off pressure: 4 bar
- Differential pressure range 35 – 400 kPa
- Leakage rate: 0.02% of maximum flow rate