

Fig. KBFV16W

Ductile Iron Butterfly Valve

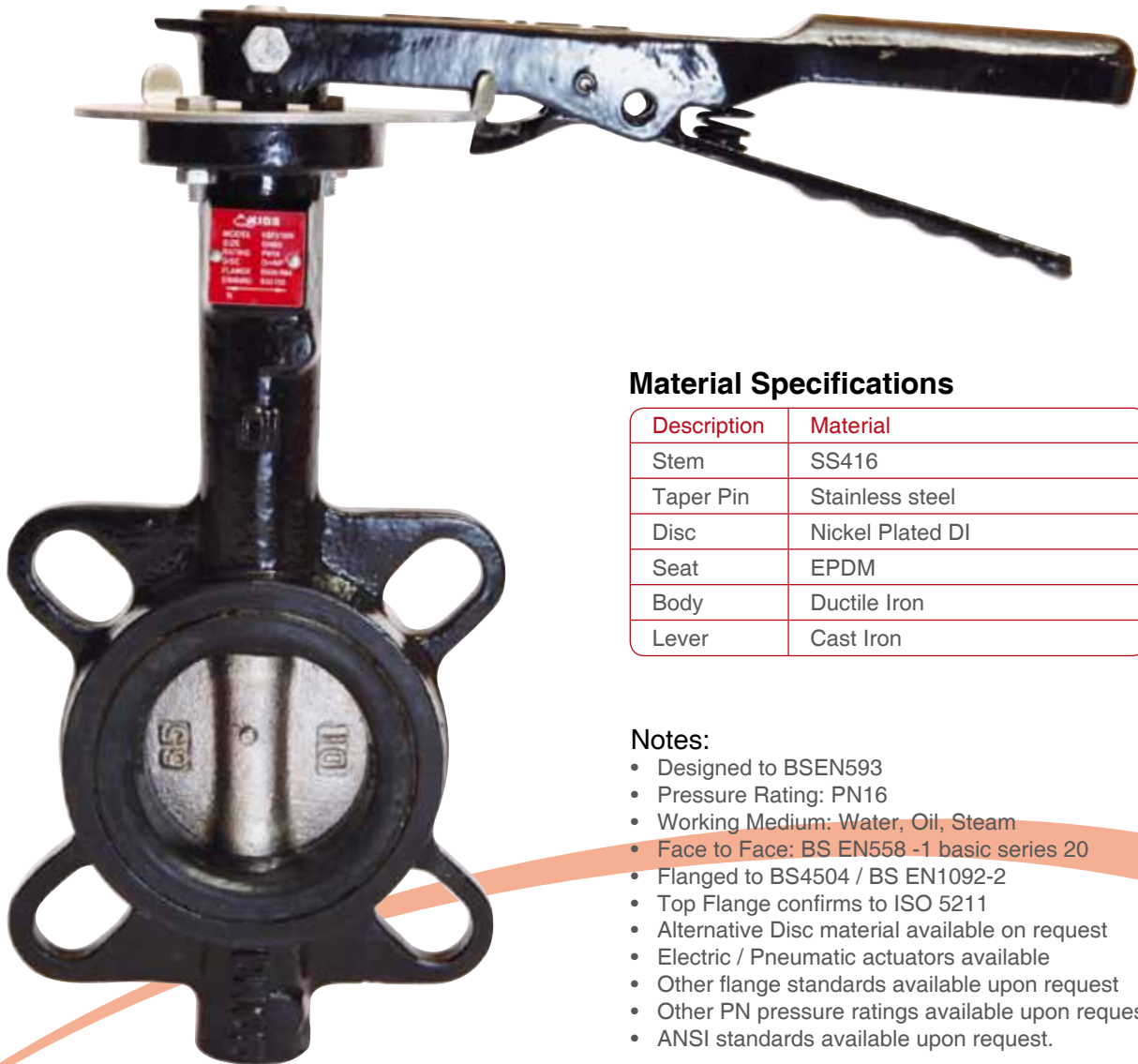
Semi Lugged Type, Lever Operated

BS EN593 PN16

Dimensions - For dimension drawing, please refer next page

DN	A	B	C	D	E	F	H	I	K	L	P
65	89	174	32	18	145	45	65	50	7	45	230
80	95	181	32	18	160	22.5	65	50	7	45	230
100	114	200	32	18	180	22.5	90	70	9.5	52	260
125	127	213	32	18	210	22.5	90	70	9.5	54	260
150	139	225	32	22	240	22.5	90	70	9.5	56	260
200	177	260	38	22	295	15	125	102	11.5	60	360

All dimensions are nominal (indicative)
Actual dimensions may vary



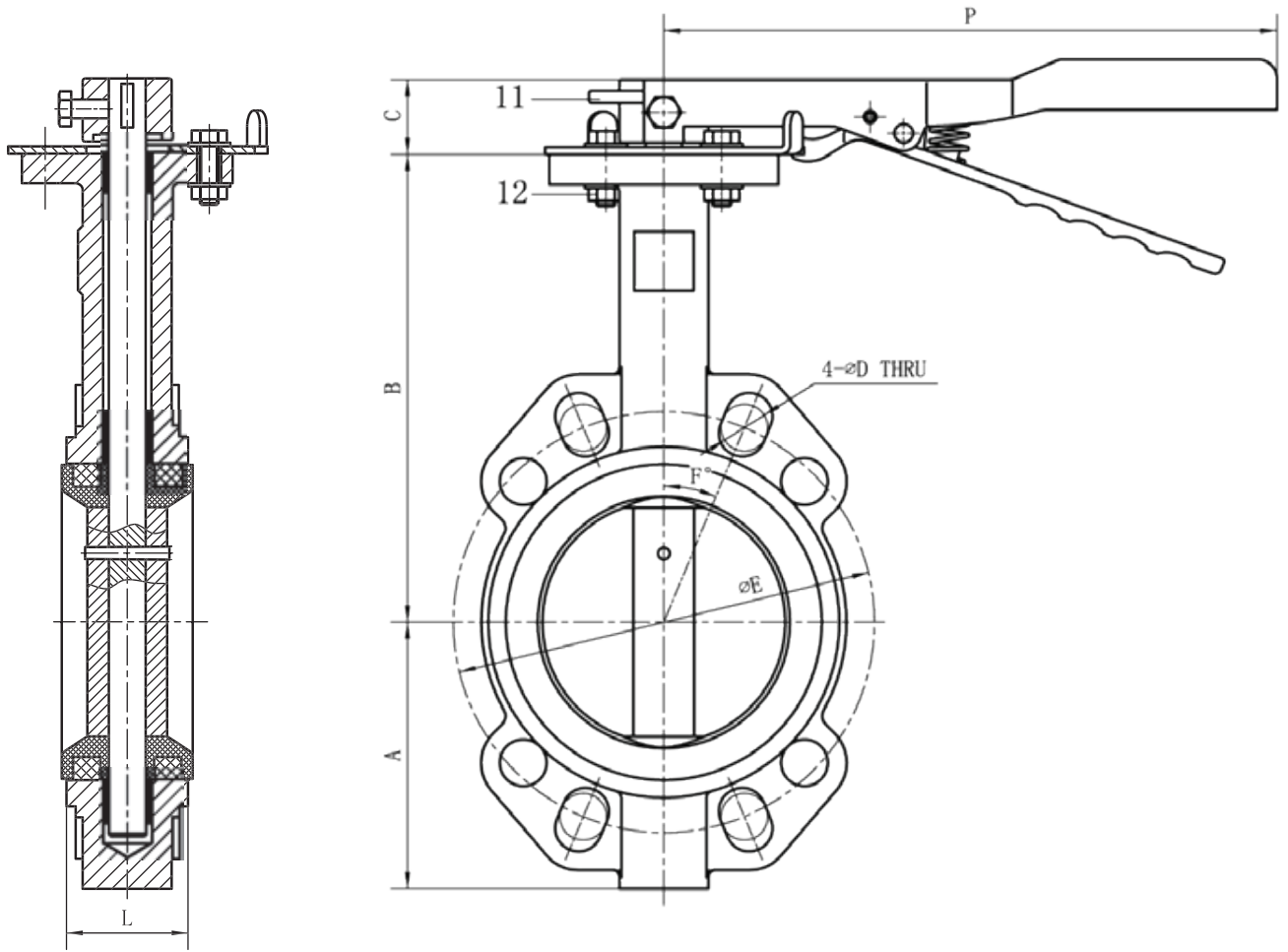
Material Specifications

Description	Material
Stem	SS416
Taper Pin	Stainless steel
Disc	Nickel Plated DI
Seat	EPDM
Body	Ductile Iron
Lever	Cast Iron

Notes:

- Designed to BSEN593
- Pressure Rating: PN16
- Working Medium: Water, Oil, Steam
- Face to Face: BS EN558 -1 basic series 20
- Flanged to BS4504 / BS EN1092-2
- Top Flange conforms to ISO 5211
- Alternative Disc material available on request
- Electric / Pneumatic actuators available
- Other flange standards available upon request
- Other PN pressure ratings available upon request
- ANSI standards available upon request.

Fig. KBFV16W
Ductile Iron Butterfly Valve
Semi Lugged Type, Lever Operated
BS EN593 PN16



Disassembly Lever and Locking Plate

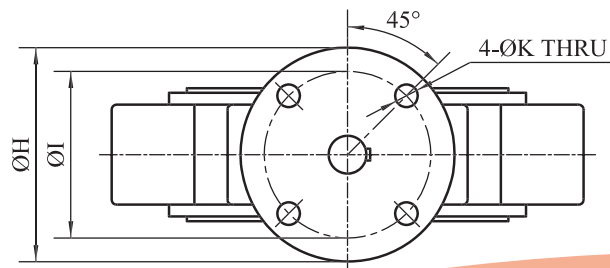


Fig. No. KBFV16W