

Fig. KSSM16

Stainless Steel Metering Station

BS 7350 PN16

Notes:

- Compliant to BS 7350
- Pressure Rating: PN16
- Suitable to fit between BS EN1092 flanges

Dimensions

DN	D	E	H	B	α
65	127	68.7	18	112	90
80	142	80.7	18	118	90
100	162	105.1	18	125	90
125	192	129.95	18	135	90
150	218	155.4	18	145	90
200	273	203.2	18	165	90
250	329	254	18	185	90
300	384	304.8	18	205	90
350	444	337	21	222	90
400	495	385	21	240	90
450	555	432	21	261	90
500	617	482	21	283	90
600	734	591	25	325	90

All dimensions are nominal (indicative)
Actual dimensions may vary

Material Specifications

Description	Material
Body	SS304
Extension Tube	SS304
Pressure Test Valves	DZR Brass

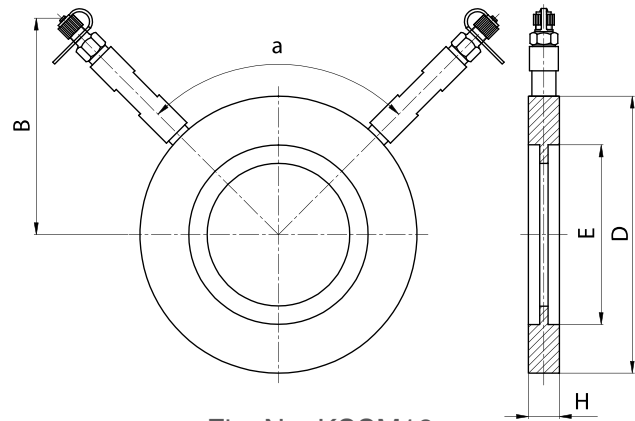


Fig. No. KSSM16

