

Fig. KFCUL25

FCU Valve Kit with PICV PN25

Specification:

- Static Pressure Rating: PN25
- Working Medium: Water
- Temperature range: 0°C to 100°C (nominal pressure rating varies at different temperatures within the range)
- End connection:
 - Female (pipe end) (parallel)
 - Male (flexible hose end), (Taper)

Includes:

- Supplied complete with EPP insulation box
- PICV (for details see catalogue for PICV Model KBP25)
- 3 Isolating Ball valves with extended handles for allowance of insulation (1 for supply, 1 for return, 1 for by-pass)
- Built-in Strainer with stainless steel mesh and drain plug
- 2 Flexible hoses for connection to FCU (standard length of approximately 300mm)

Actuator Details:

- ON/OFF : 230V, NC
- Modulating : 24V, 0-10V DC, NC



DIMENSIONS

DN	A	B	C	D	E
DN15	108	197	106	65	81
DN20	112	201	113	70	85
DN25	127	226	130	80	102

No.	Part	Material
1	Gasket	Silicon Rubber
2	Hand Wheel	Aluminum
3	Body	DZR Brass
4	Hexagonal Nut	DZR Brass
5	Female Adapter	DZR Brass
6	Male Connector	DZR Brass
7	Body	DZR Brass
9	Strainer	DZR Brass
10	Flexible Hoses	SS304
11	Hand Wheel Cover	Plastic
12	Hand Wheel Screw	SS304
13	Spacing Cover	ABS
14	Stem	DZR Brass
15	Cap	DZR Brass
16	Gasket	PTFE

PICV Insert Specification:

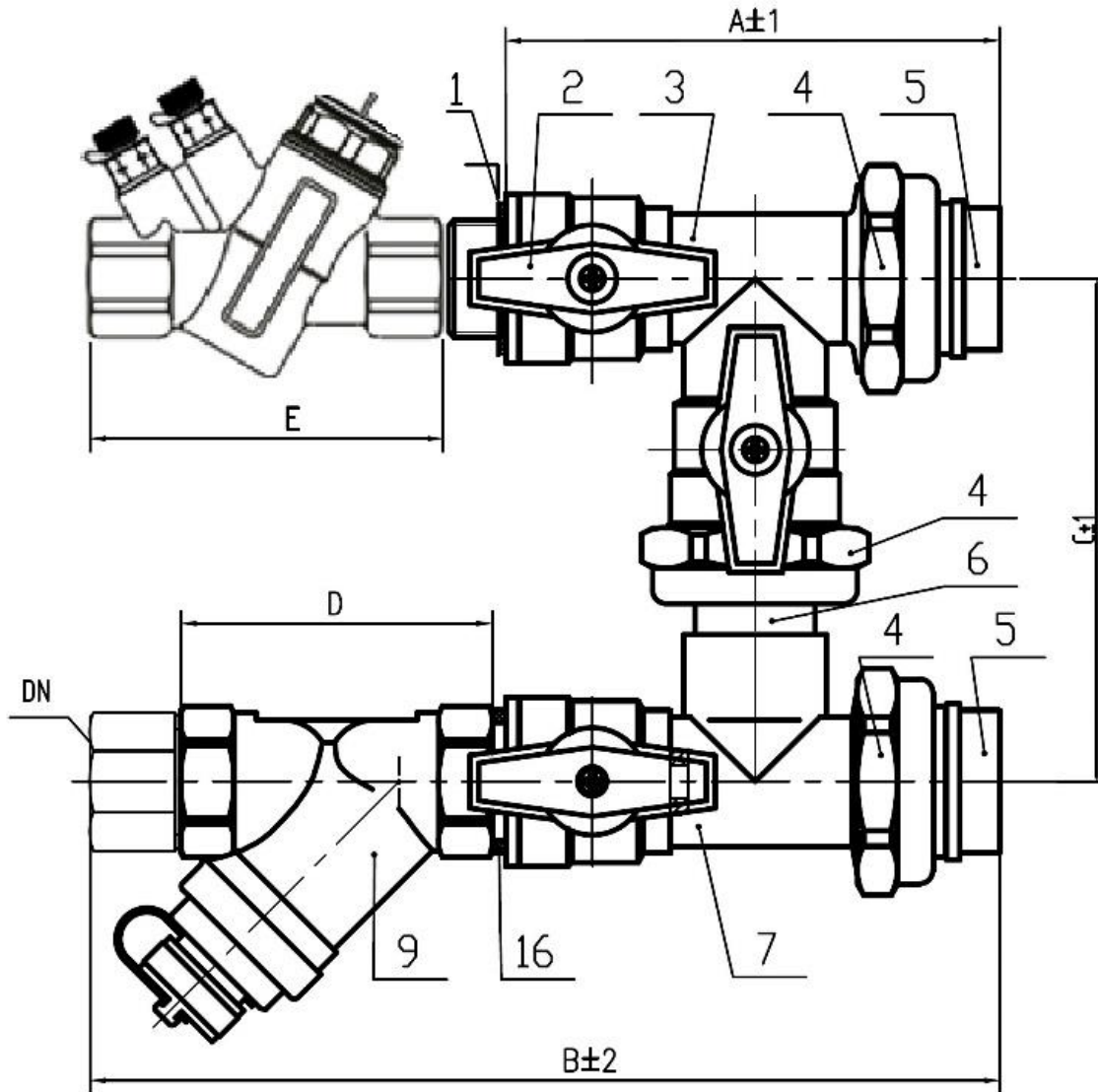
- **Material:**
 - Insert: Glass-reinforced PSU/POM/PPS
 - Metal components (internal): Stainless steel
 - O-rings: EPDM
 - Cone: PPS
 - Diaphragm: EPDM
- Maximum close off pressure: 800 kPa / 116 psi
- Maximum operational ΔP : 800 kPaD / 116 psid
- Control characteristic: linear (may be converted to equal % on actuator)
- Control range: 1:1000 / IEC 60534
- Rangeability: 100:1
- Turn down ratio: 100:1
- Shut-off leakage: ANSI / FCI 70-2 2006 / IEC 60534-4, Class IV
- Weight: 0.17 kg / 0.36 lb

Mesh Details:

- Material: SS304
- Diameter of Hole: 0.8mm
- Thickness of Mesh: 0.5mm
- Free area percentage: about 52%
- Holes/cm²: 60

Fig. KFCUL25

FCU Valve Kit with PICV
PN25



Ball valve
handle
accessories

