

Notes:

- Designed to BS 5154
- Pressure Rating: PN20
- Working Medium: Water, Oil, Steam
- Threaded Bonnet
- UK end connection: BS21 Taper Threaded (ISO 7) / BS EN10226-2
- Available with NPT Threads, subject to minimum quantities
- Available with Lockshield (Fig. No. KBG20LS), subject to minimum quantities

Material Specifications

Description	Material
Body	Bronze CC491K
Bonnet	Bronze CC491K
Stem	DZR Brass CW602N
Disc	Bronze CC491K
Handwheel	Aluminium

Dimensions

DN		d	L	H	H1	D
Inches	MM					
½"	15	12.7	49.5	103	40.3	52
¾"	20	19.1	53.5	109	46.8	52
1"	25	25.4	62	133	50.5	70
1¼"	32	31.8	70	145	62.5	70
1½"	40	38.2	77	170	70	92
2"	50	50.9	87	206	84	92.5

All dimensions are nominal (indicative)
Actual dimensions may vary

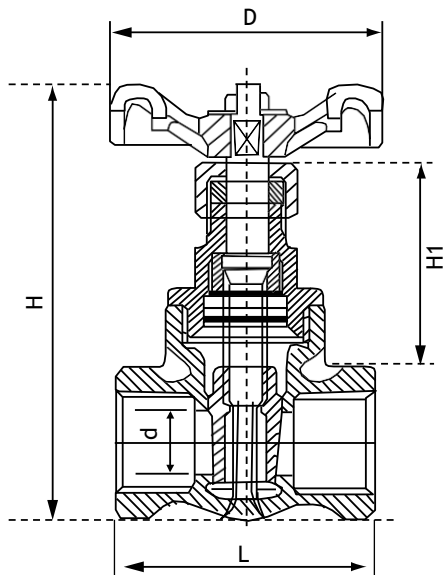


Fig. No. KBG20

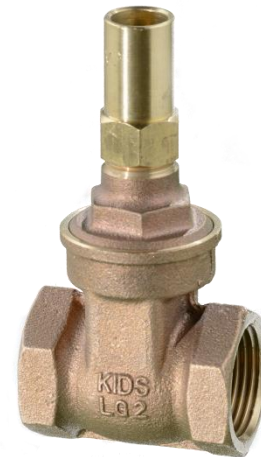


Fig. KBG20LS

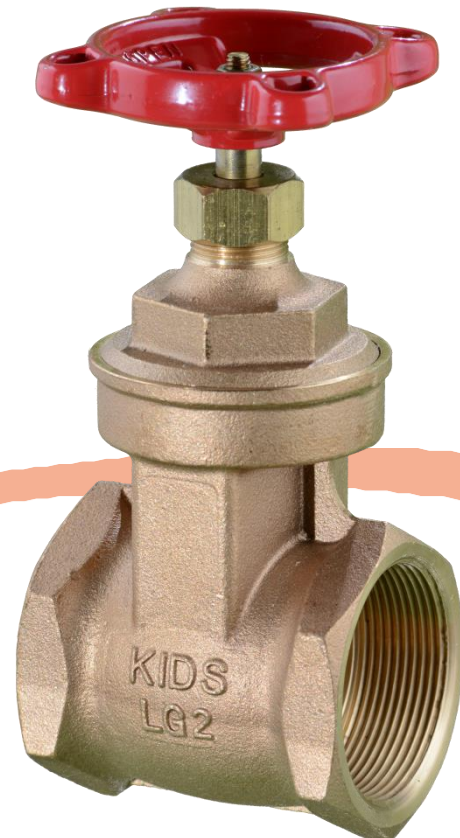


Fig. KBG20