

Notes:

- Designed to BS7350
- Pressure Rating: PN25
- Working Medium: Water, Oil, Steam
- Handwheel operated
- Numerical Indicator
- Inside screw non-rising handwheel
- Characterized regulating disc
- Integral fixed orifice
- Double Regulating(memory stop)
- Supplied with 2 test points
- BS21 Taper Threaded (ISO 7) / BS EN10226-2
- Available with NPT Threads, subject to minimum quantities
- For 1/2" - 3/4" there is a PTFE o-ring on the disc

Material Specifications

| Description | Material |
|--------------------------|------------------|
| Body | Bronze CC491K |
| Bonnet (1/2" - 1 1/4") | DZR Brass CW602N |
| Bonnet (1 1/2" - 2") | Bronze CC491K |
| Stem | DZR Brass CW602N |
| Disc | DZR Brass CW602N |
| Handwheel | Plastic |
| Orifice Insert | DZR Brass CW602N |
| Press. Test Points | DZR Brass CW602N |

Dimensions

| DN | | L | H | C |
|--------|----|-----|-----|----|
| Inches | MM | | | |
| 1/2" | 15 | 87 | 105 | 46 |
| 3/4" | 20 | 96 | 106 | 51 |
| 1" | 25 | 100 | 127 | 56 |
| 1 1/4" | 32 | 114 | 128 | 57 |
| 1 1/2" | 40 | 125 | 143 | 61 |
| 2" | 50 | 146 | 144 | 75 |

All dimensions are nominal (indicative)
Actual dimensions may vary

- Superior to variable orifice DRV due to higher accuracy from integral fixed orifice
- Flow reading across fixed orifice +/- 5%
- Valve must be installed fully in accordance with instructions.

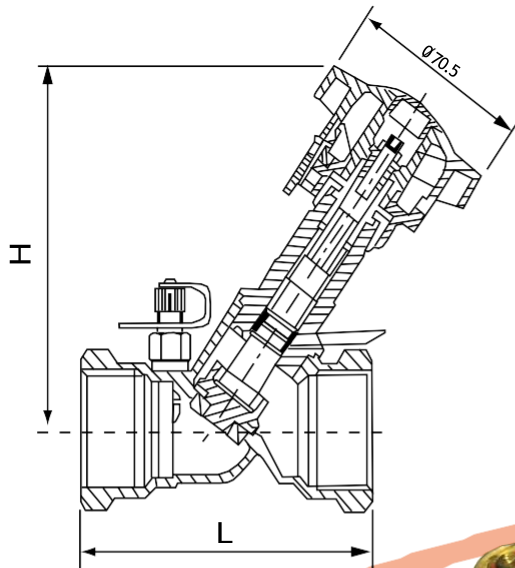
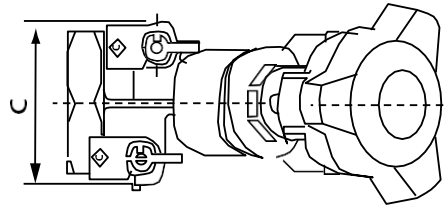


Fig. No. KFDRV25

