

Fig. KIG16

Ductile Iron Gate Valve

Non-Rising Stem

BS5150 PN16

Notes:

- Designed to BS5150
- Pressure Rating: PN16
- Working Medium: Water, Oil, Steam
- Flanged to BS4504 / BS EN1092-2
- Rising stem available
- Other flange standards available upon request
- Other PN pressure ratings available upon request
- ANSI standards available upon request.

Material Specifications

Description	Material
Body	Ductile Iron
Body Seat Ring	Cast Bronze
Wedge Seat Ring	Cast Bronze
Wedge	Ductile Iron
Stem	Stainless Steel
Bonnet	Ductile Iron
Handwheel	Ductile Iron

Dimensions

DN	A	C	D	L	L1	H	Z-d	F
65	118	145	185	190	160	295	4-19	19
80	132	160	200	203	200	356	8-19	19
100	156	180	220	229	200	411	8-19	19
125	184	210	250	254	250	489	8-19	19
150	211	240	285	267	250	563	8-23	19
200	266	295	340	292	280	704	12-23	20
250	319	355	405	330	370	865	12-28	22
300	370	410	460	356	370	995	12-28	24.5

All dimensions are nominal (indicative)
Actual dimensions may vary

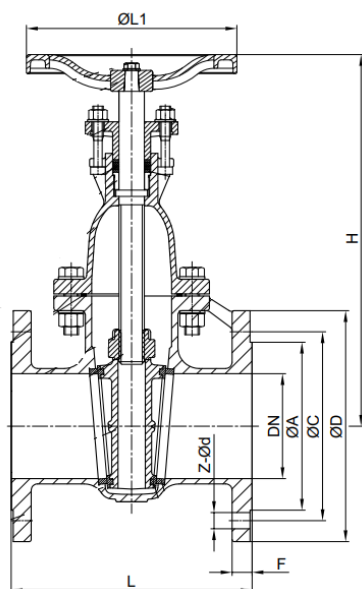


Fig. No. KIG16

